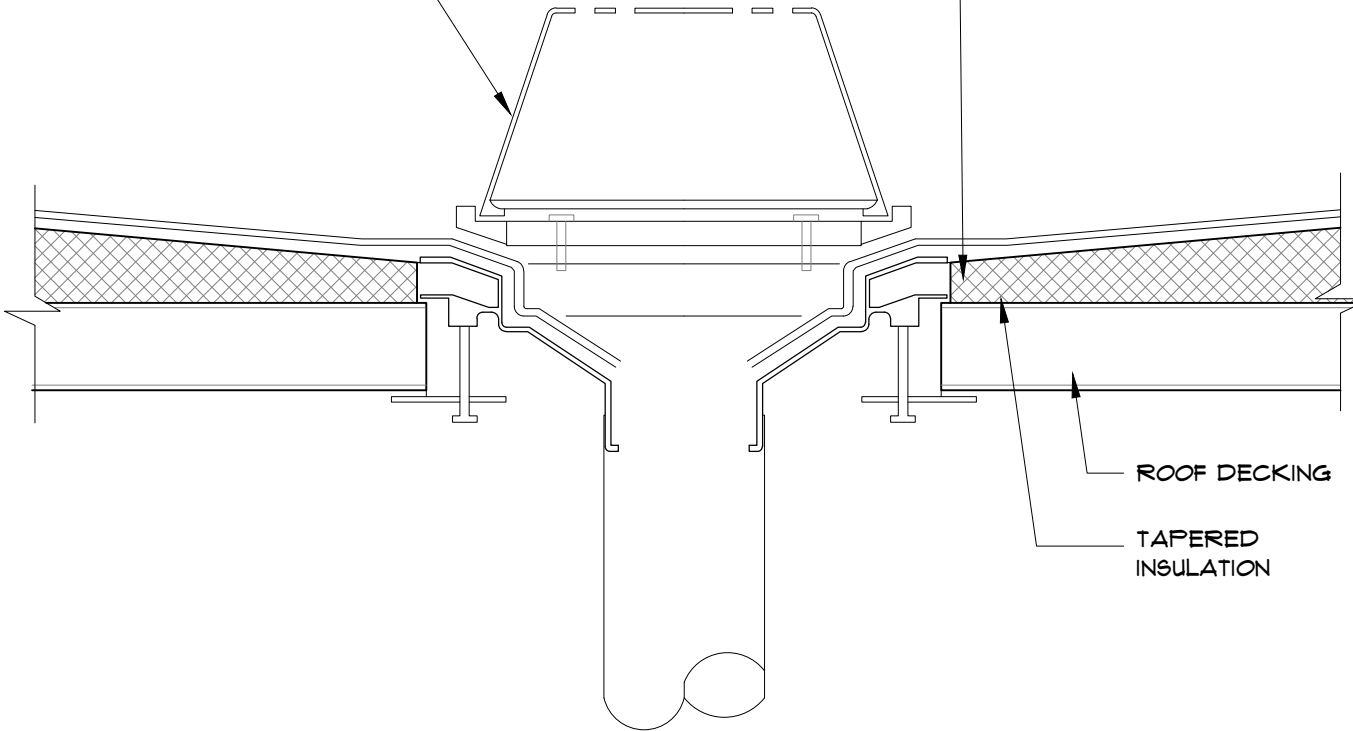


ROOF DRAIN. NOTE: ROOF DRAIN SHALL BE INSTALLED AS REQUIRED BY THE MANUFACTURER.

FLUID APPLIED RESTORATION SYSTEM
- BASE COAT, REINFORCED FABRIC, BASE COAT 2, AND FINISH COAT COMPONENTS



ROOF DECKING

TAPERED INSULATION

NOTES:

1. ROOFING MEMBRANE SHALL EXTEND UNDER THE ROOF DRAIN COMPRESSION CLAMPING RING.
2. ALL DRAIN COMPONENTS SHALL BE MADE OF CAST IRON UNLESS APPROVED BY THE ROOF MEMBRANE MANUFACTURER TO USE ANOTHER MATERIAL.
3. SLOPE INSULATION TOWARDS DRAIN.
4. FLUID APPLIED RESTORATION SYSTEM - BASE COAT, REINFORCED FABRIC, BASE COAT AND FINISH COAT COMPONENTS
5. BASE COAT - COMBINED COVERAGE (2 COATS) AT A MINIMUM RATE AS DIRECTED IN THE SPECIFICATION.
6. EACH FINISH COAT SHALL BE APPLIED AT THE PRODUCT DATA SHEET RECOMMENDATIONS. ALLOW TO DRY BETWEEN COATS.
7. PRIMING - REFER TO TROPICAL ROOFING PRODUCTS SPECIFICATIONS FOR DECK PRIMING REQUIREMENTS.

NOTE: FOR SPECIFIC PRODUCT RECOMMENDATION REFER TO THE APPROPRIATE FLUID APPLIED SYSTEM GUIDE SPECIFICATIONS AT WWW.TROPICALROOFINGPRODUCTS.COM



FLUID APPLIED RESTORATION COATING SYSTEM

STANDARD ROOF DRAIN DETAIL

DATE :

12-13-16

DETAIL NO :

11