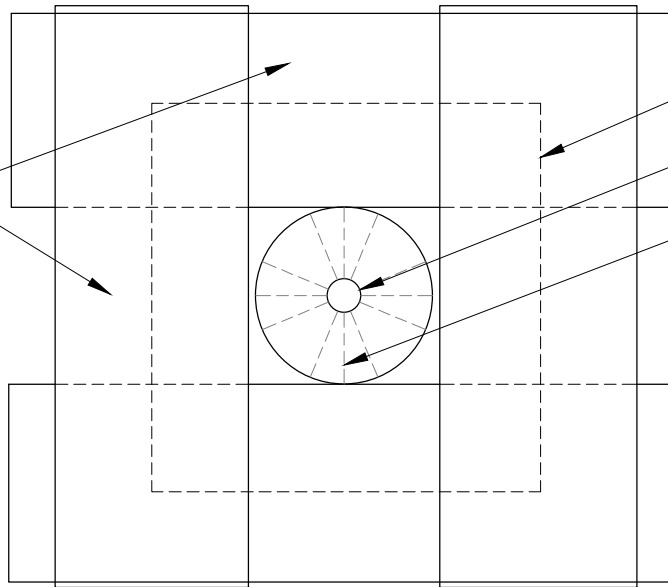


12" WIDE FABRIC AND BASE COAT (2 COATS) SPLICED OVER FLAT METAL FLASHING. COLOR AS SPECIFIED.



FLAT METAL PIPE FLASHING
 VENT / STACK PIPE
 RUBBER CASING

NOTES:

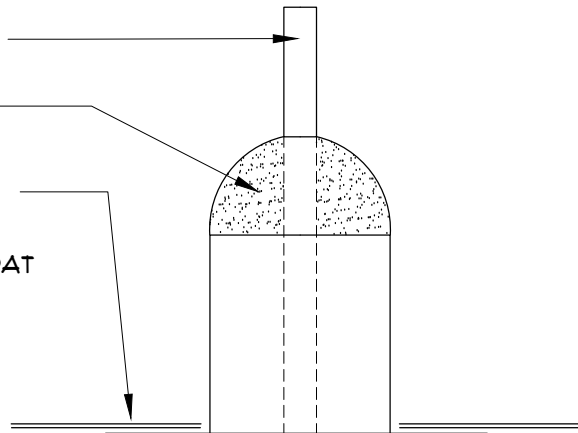
1. ALL FLASHING SHALL BE DESIGNED FOR THE APPLICABLE CONDITIONS. METAL THICKNESS, FASTENERS, AND LAPPING SHALL BE AS SPECIFIED BY THE ROOF DESIGNER.
2. REFER TO THE SPECIFICATIONS FOR SPECIFIC REQUIREMENTS.
3. FLUID APPLIED RESTORATION COATING SYSTEM - BASE COAT, REINFORCED FABRIC, BASE COAT 2, AND FINISH COAT COMPONENTS.
4. PRIMING - REFER TO TROPICAL ROOFING PRODUCTS SPECIFICATIONS FOR DECK PRIMING REQUIREMENTS.

PLAN

VENT / STACK PIPE

RUBBER CASING

FLUID APPLIED RESTORATION COATING SYSTEM - BASE COAT, REINFORCED FABRIC, BASE COAT 2, AND FINISH COAT COMPONENTS.



SECTION

FLAT METAL PIPE FLASHING

NOTE: FOR SPECIFIC PRODUCT RECOMMENDATION REFER TO THE APPROPRIATE FLUID APPLIED SYSTEM GUIDE SPECIFICATIONS AT WWW.TROPICALROOFINGPRODUCTS.COM



FLUID APPLIED RESTORATION COATING SYSTEM

VENT STACK PIPE DETAIL

DATE :
12-13-16

DETAIL NO :
16