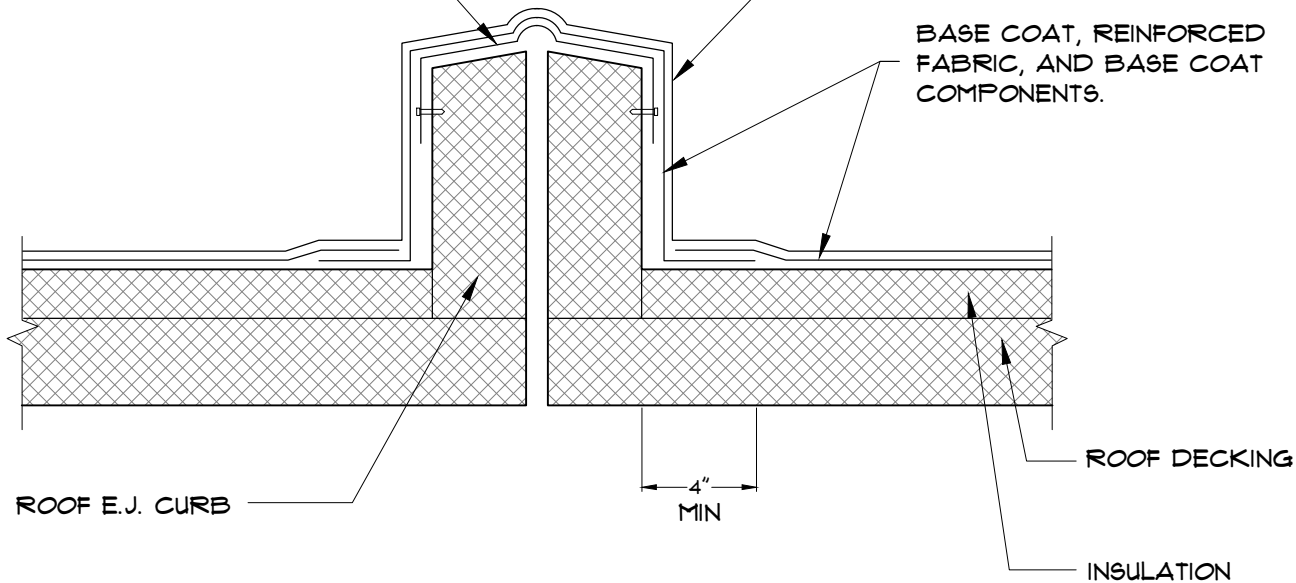


SHEET METAL FLASHING.
EPDM FLASHING CAN ALSO BE USED.

FINISH COAT COMPONENT
OVER ENTIRE ROOF. COLOR
AS SPECIFIED.

BASE COAT, REINFORCED
FABRIC, AND BASE COAT
COMPONENTS.



NOTES:

1. PREPARE THE ROOF SURFACE AS PER MANUFACTURERS REQUIREMENTS
2. SHEET METAL FLASHING AND EXPANSION JOINT DESIGN PROFILE TO BE DETERMINED BY ROOF DESIGNER
3. FLUID APPLIED RESTORATION COATING SYSTEM – BASE COAT, REINFORCED FABRIC, BASE COAT 2, AND FINISH COAT COMPONENTS.
4. PRIMING – REFER TO TROPICAL ROOFING PRODUCTS SPECIFICATIONS FOR DECK PRIMING REQUIREMENTS.

NOTE: FOR SPECIFIC PRODUCT RECOMMENDATION REFER TO THE APPROPRIATE FLUID APPLIED SYSTEM GUIDE SPECIFICATIONS AT WWW.TROPICALROOFINGPRODUCTS.COM



FLUID APPLIED RESTORATION COATING SYSTEM

EXPANSION JOINT FLASHING DETAIL

DATE :
12-13-16

DETAIL NO :
18