

DECK FASTENER

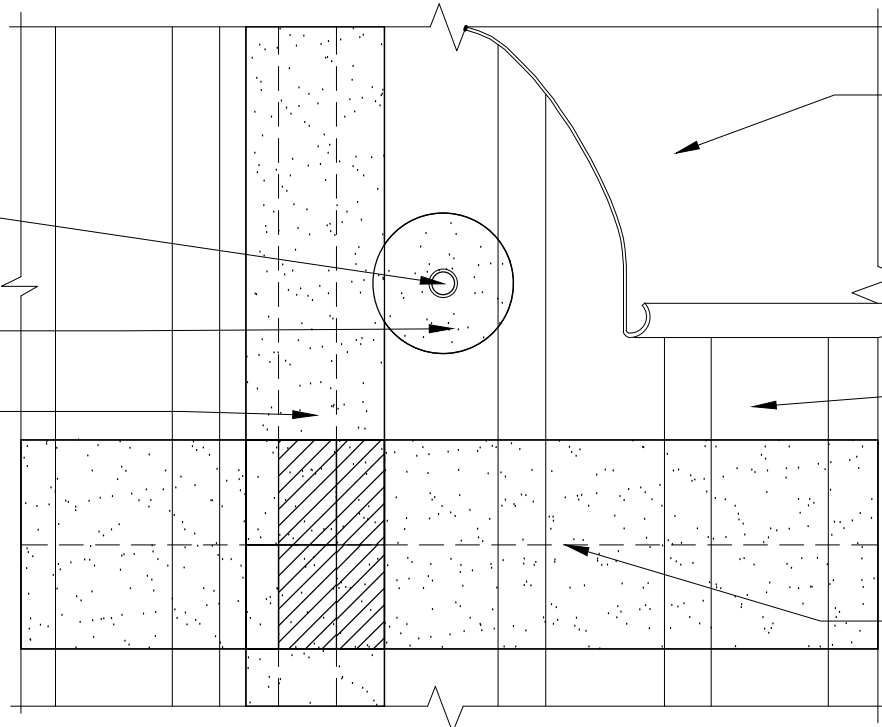
INSTALL #950/951 MASTIC ON  
ACRYLIC OR #9100 SILICONE MASTIC  
OVER EVERY SCREW

VERTICAL SEAM BASE COAT,  
FABRIC(4", 6", OR 8"), BASE  
COAT 2

FINISH COAT. COLOR  
AS SPECIFIED

METAL ROOF DECK

HORIZONTAL SEAM BASE COAT,  
FABRIC (12") AND BASE COAT 2



#### NOTES:

1. PREPARE ALL ROOF SURFACES AS REQUIRED BY THE FLUID APPLIED SYSTEM MANUFACTURER.
2. IF RUST IS PRESENT, REMOVE SURFACE RUST AND PRIME WITH #960 METAL PRIMER @ COVERAGE INDICATED IN SPECIFICATION FOR ACRYLIC RESTORATION SYSTEMS. SILICONE CAN BE APPLIED DIRECTLY OVER METAL AFTER SURFACE RUST IS REMOVED.
3. REMOVE LOOSE OR DAMAGED FASTENERS AND REPLACE WITH FASTENERS DESIGNED TO PENETRATE THE DECK AND SUPPORTING MEMBERS WITH NEOPRENE WASHERS AT THE SCREW HEAD.
4. DECK CONFIGURATIONS MAY DIFFER FROM THE DECK PROFILE INDICATED, BUT THE APPLICATION SHOULD REMAIN SIMILAR.
5. FLUID APPLIED RESTORATION COATING SYSTEM - BASE COAT, REINFORCED FABRIC, BASE COAT 2, AND FINISH COAT COMPONENTS. ALL VERTICAL SEAMS ARE TREATED WITH BASE COAT AND 4", 6" OR 8" FABRIC DEPENDING ON ROOF PROFILE. HORIZONTAL SEAMS ARE COVERED WITH 12" FABRIC AND BASE COAT. ALL FASTENERS ARE TREATED WITH \_\_\_\_\_
6. BASE COAT - COMBINED COVERAGE (2 COATS) AT MINIMUM RATE AS DIRECTED IN THE SPECIFICATION.
7. PRIMING - REFER TO TROPICAL ROOFING PRODUCTS SPECIFICATIONS FOR DECK PRIMING REQUIREMENTS.

NOTE: FOR SPECIFIC PRODUCT RECOMMENDATION REFER TO THE APPROPRIATE FLUID APPLIED SYSTEM GUIDE SPECIFICATIONS AT [WWW.TROPICALROOFINGPRODUCTS.COM](http://WWW.TROPICALROOFINGPRODUCTS.COM)



## FLUID APPLIED RESTORATION COATING SYSTEM

### TYPICAL METAL ROOF JOINT DETAIL

DATE :

12-13-16

DETAIL NO :

9